

Polar Speed Sensor™ with Polar Bike Mount™

GESCHWINDIGKEITSMESSER inkl. Fahrradhalterung
CAPTEUR DE VITESSE et support vélo
SNELHEID SENSOR en stuurhouder
SENSOR DE VELOCIDAD y soporte para bicicletas
SENSORE DI VELOCITÀ e supporto per bicicletta
SENSOR DE VELOCIDADE e bike mount
HASTIGHEDSENSOR og cykelmonteringsæt
HASTIGHETSENSOR og sykkelholder
HASTIGHETSSENSORSET och cykelhållare
NOPEUSSENSORI ja rannelaitpidike

Operating instructions
Gebrauchsanleitung
Mode d'emploi
Gebruiksaanwijzing
Manual de instrucciones
Istruzioni per l'uso
Manual do usuário
Brugermanual
Brukerveiledning
Bruksanvisning
Käyttöohjeet

Product of Polar Electro Oy
Professorintie 5
FIN-90440 KEMPELE

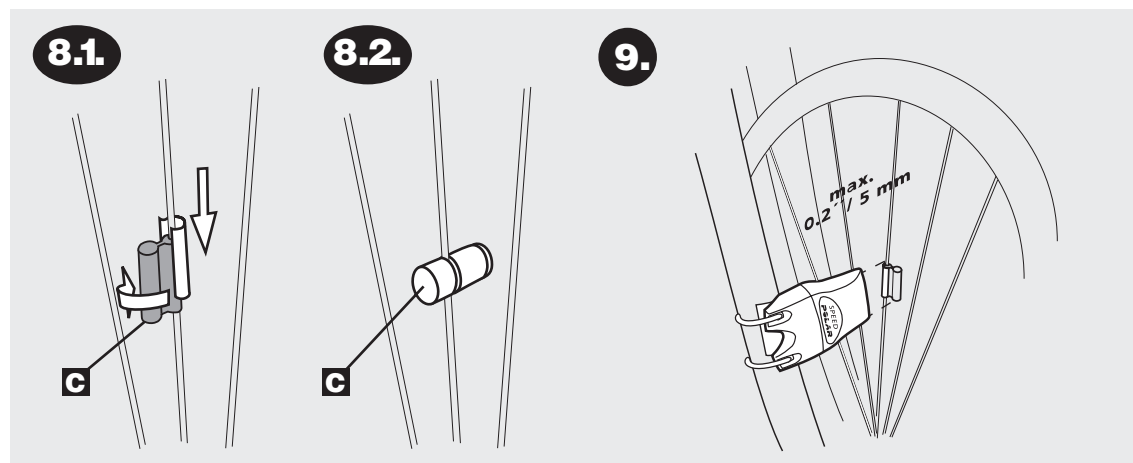
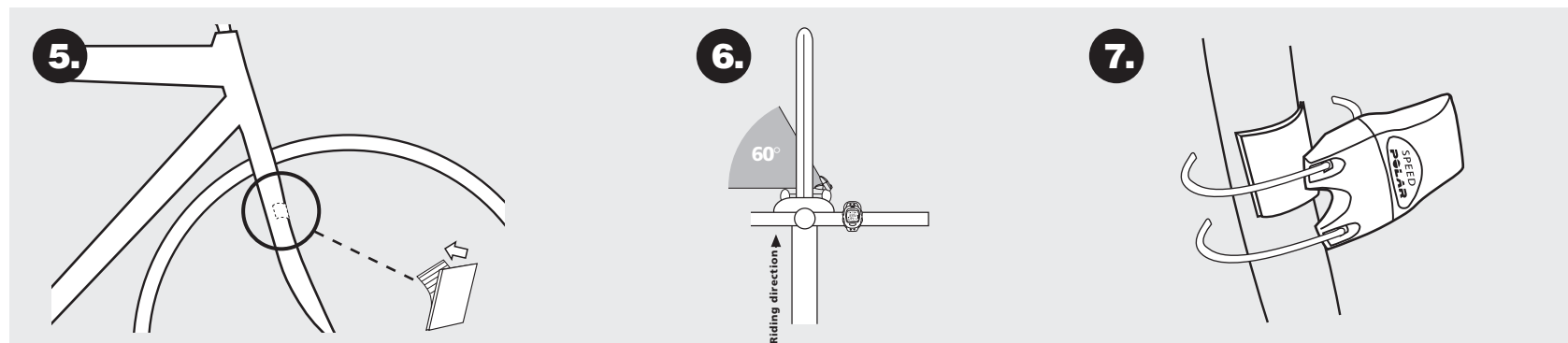
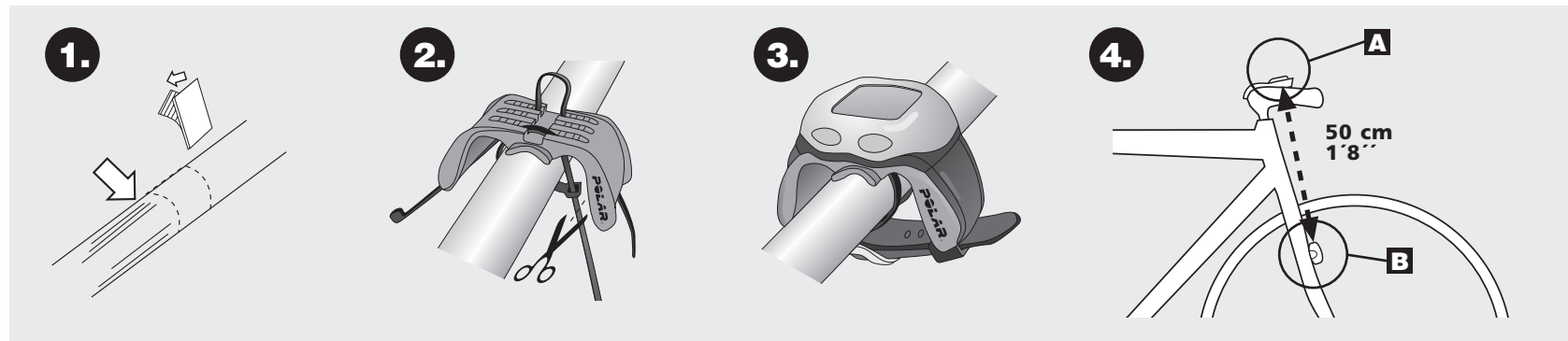
CE This CE marking shows compliance of this product with Directive 93/42/EEC.

www.polar.fi
www.support.polar.fi

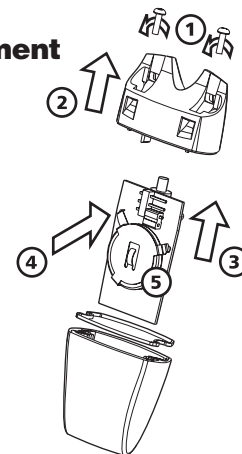
Copyright © 2000-2006 Polar Electro Oy, FIN-90440 KEMPELE, Finland. Polar Electro Oy is a ISO 9001:2000 certified company. All rights reserved. No part of this manual may be used or reproduced in any form or by any means without prior written permission of Polar Electro Oy. The names and logos marked with a ™ symbol in this user manual or in the package of this product are trademarks of Polar Electro Oy. The names and logos marked with a © symbol in this user manual or in the package of this product are registered trademarks of Polar Electro Oy. Pat. FI 100924, other patents pending.

17913730.01 GEN E

POLAR
LISTEN TO YOUR BODY



Battery Replacement



The Polar Speed Sensor is designed to measure speed and distance when cycling. No other use is intended or implied.

INSTALLING THE POLAR BIKE MOUNT

1. Remove the cover paper from the rubber pad and attach the pad to the handle bar.
2. Position the receiver mounting part forward (horizontal handlebar) or inside (vertical handlebar). Pass the cable ties around the handlebar and through the cable tie holes. Secure the bike mount firmly. Cut off any excess cable tie ends.
3. Place the receiver on the mounting part. Attach the receiver by securing the wrist strap.

INSTALLING THE POLAR SPEED SENSOR

- A** Polar Bike Mount and the receiver
- B** Polar Speed Sensor
- C** Spoke magnet

Note: There are two spoke magnet options included in the package (see illustrations 8.1. and 8.2.). You only need to install one of them.

4. Check the front side of the front fork to find a suitable place for the speed sensor. The sensor should be attached 50 cm / 1'8" from the mounted receiver.
5. Before attaching the rubber pad, the area underneath it should be cleaned and dried thoroughly. Remove the cover paper from the rubber pad and attach it to the fork.
6. Check the position of the sensor as shown in the illustration; viewed from above. Then adjust the sensor towards the wheel as much as possible.
7. Position the sensor on the rubber pad. Pass the cable ties through the sensor holes and loosely adjust the ties. Do not tighten fully yet. If the cable ties are too short for your bicycle, put two of them together to make them longer.
8. There are two spoke magnet options. You only need to install one of them. Check which of the magnets fits the spoke of your bike best.

- 8.1. Attach the magnet by rotating it around the spoke before putting the metal cover on the magnet. Install the magnet at the same level as the sensor. The magnet must be facing the speed sensor.
- 8.2. Attach the screw magnet to a spoke at the same level as the sensor. The magnet must be facing the speed sensor.
9. Fine-tune the positioning of both the magnet and the sensor so that the magnet passes the sensor closely but does not touch it. The maximum distance between the speed sensor and the spoke magnet should be 0.2"/5 mm. Once positioned correctly, tighten the cable ties securely and cut off any excess cable tie ends.

! Before riding your bicycle, check that you can turn the handlebars normally and cable wires for brakes or gearing do not catch on the sensor. While riding your bike, please keep your eyes on the road to prevent possible accidents and injury.

OPERATION OF THE SPEED SENSOR

- You may test the operation of the speed sensor by checking that the sensor gives out an orange flash when the magnet passes the sensor. Note that the orange flash is only a checking procedure and the flashing does not continue after 50 flashes when cycling. If you would like to check this procedure again, you must have a pause of 3 minutes during which time the magnet may not pass the speed sensor.
- Before you start cycling, you should wait for the heart rate code to be recognised by the receiver.
- For more instructions on how to use the Polar Speed Sensor, please refer to the user manual of the heart rate monitor/product in question.

? FREQUENTLY ASKED QUESTIONS

What should I do if...

...the speed reading is 00 or there is no speed reading while cycling?

- Check the correct position of the speed sensor with the spoke magnet and the receiver.
- Check that you have set correct cycling settings in your receiver.
- If the 00 reading appears irregularly, this may be due to temporary electromagnetic interference in your current surroundings.
- If the 00 reading is constant, you may have exceeded 2500 riding hours and the battery of the speed sensor needs to be replaced.

...there are irregular speed, distance or heart rate readings?

- Electromagnetic interference as well as interference from other wireless cycle computers may affect readings of speed, distance and heart rate.
- Disturbances may occur near high voltage power lines, traffic lights, overhead railway cables, electric bus lines or trams, televisions, car motors, some motor driven exercise equipment or cellular phones.
- To avoid crosstalk from another cyclist with a Polar Speed Sensor, keep a distance of at least 1 metre / 3'4" between your receiver and the Polar Speed Sensor of the other cyclist.

TECHNICAL SPECIFICATION

Operating temperature -10 °C to +50 °C / 14 °F to 122 °F
Battery type: CR 2032
Battery life: average 2500 hours of use
Accuracy: ±1 %
Splash-proof

CARE AND MAINTENANCE

- Do not immerse the speed sensor in water.
- Avoid hard hits as these may damage the sensor.

Battery replacement

We highly recommend you send the speed sensor to an authorised Polar Service Centre for battery replacement, where the unit is tested after the battery has been replaced.

However, if you prefer changing the battery yourself, please follow these instructions carefully:

Detach the sensor from your bicycle.

1. Open the sensor by removing the two small screws, counter-clockwise, with a small screwdriver.
2. Lift the case off carefully. Hold the sensor cover upwards so that the PCBA (printed circuit board assembled) stays in the case.
3. Remove the PCBA carefully.
4. Press the battery holder gently. Release a hook of the holder from the opposite side of the PCBA and lift the holder upwards. Remove the old battery.
5. Insert a new battery with the plus (+) side facing up and press the battery housing gently so that it is attached to the PCBA at all corners.
6. Put the PCBA back into place.

7. Check that the sealing ring stays in its groove. Replace the cover back. Insert the two screws in their holes and tighten them gradually in turn.
8. Test the sensor by checking that it gives out an orange flash when the spoke magnet passes the speed sensor.
9. Do not throw the replaced battery away with normal waste; take it to a place where problem waste is handled.

LIMITED POLAR INTERNATIONAL GUARANTEE

- This limited Polar international guarantee is issued by Polar Electro Inc. for the consumers who have purchased this product in the USA or Canada. This limited Polar international guarantee is issued by Polar Electro Oy for the consumers who have purchased this product in other countries.
- Polar Electro Inc. / Polar Electro Oy guarantees to the original consumer/purchaser of this product that the product will be free from defects in material or workmanship for two years from the date of purchase.
- **Please keep the receipt or stamped Polar Customer Service Card. This is your proof of purchase!**
- The guarantee does not cover the battery, damage due to misuse, abuse, accidents or non-compliance with the precautions; improper maintenance, commercial use, cracked or broken cases.
- Guarantee does not cover any damage/s, losses, costs or expenses, direct, indirect or incidental, consequential or special, arising out of, or related to the product. During the guarantee period the product will be either repaired or replaced at an authorized service center free of charge.
- This guarantee does not affect the consumer's statutory rights under applicable national or state laws in force, or the consumer's rights against the dealer arising from their sales/ purchase contract.



This crossed out wheeled bin marking shows that Polar products are electronic devices and are in the scope of Directive 2002/96/EC of the European Parliament and of the Council on waste electrical and electronic equipment (WEEE). These products should thus be disposed of separately in EU countries. Polar encourages you to minimize possible effects of waste on the environment and human health also outside the European Union by following local waste disposal regulations and, where possible, utilize separate collection of electronic devices.