

POLAR®

CADENCE SENSOR



USER MANUAL

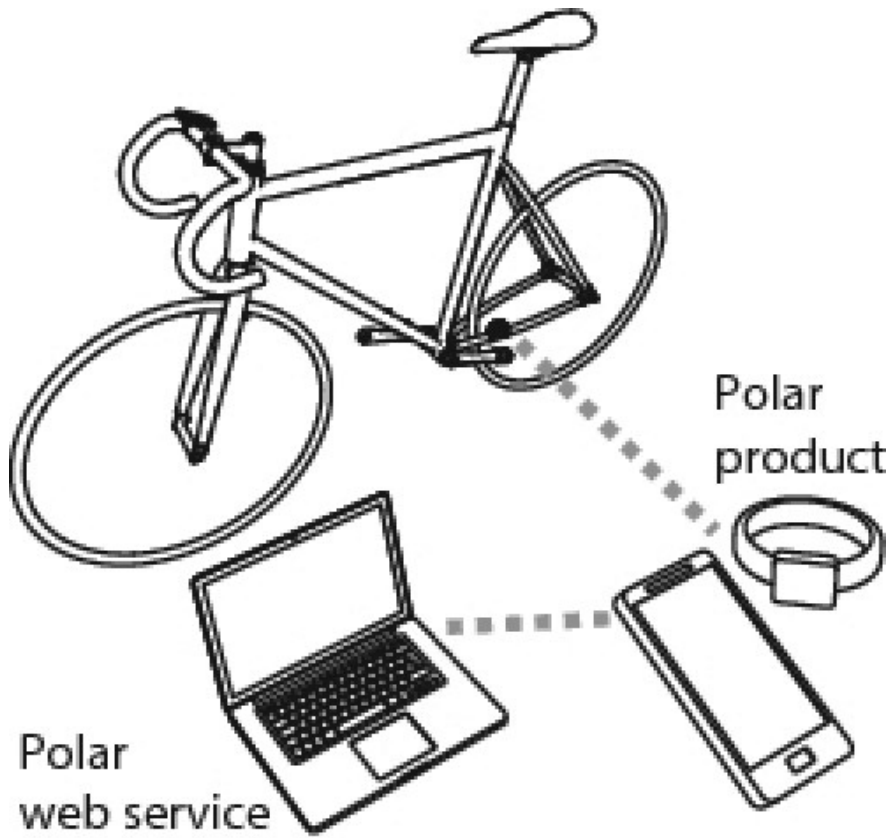
CONTENTS

Contents	2
Introduction	3
Get started	4
Product elements	4
Installing the cadence sensor	5
Cadence sensor pairing	6
Important information	7
Care and maintenance	7
Cadence sensor battery	7
Frequently asked questions	7
Technical specification	8

INTRODUCTION

Polar Cadence Sensor is designed to measure cadence, i.e. crank revolutions per minute, when cycling. The sensor is compatible with devices that support Bluetooth® Cycling Speed and Cadence Service.

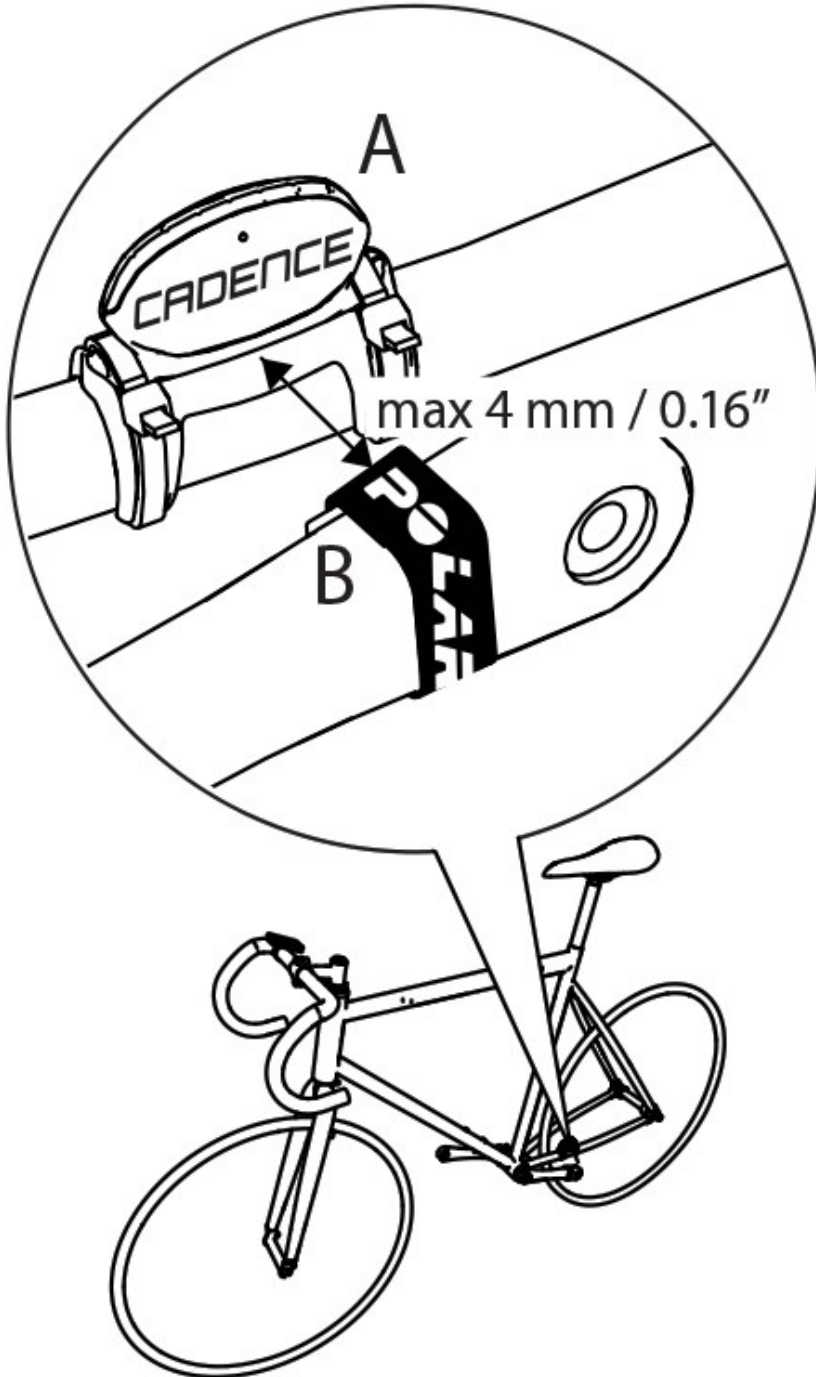
You can use your sensor with dozens of leading fitness apps, as well as with Polar products using Bluetooth® technology. Check the compatible products and devices at support.polar.com/en.



GET STARTED

PRODUCT ELEMENTS

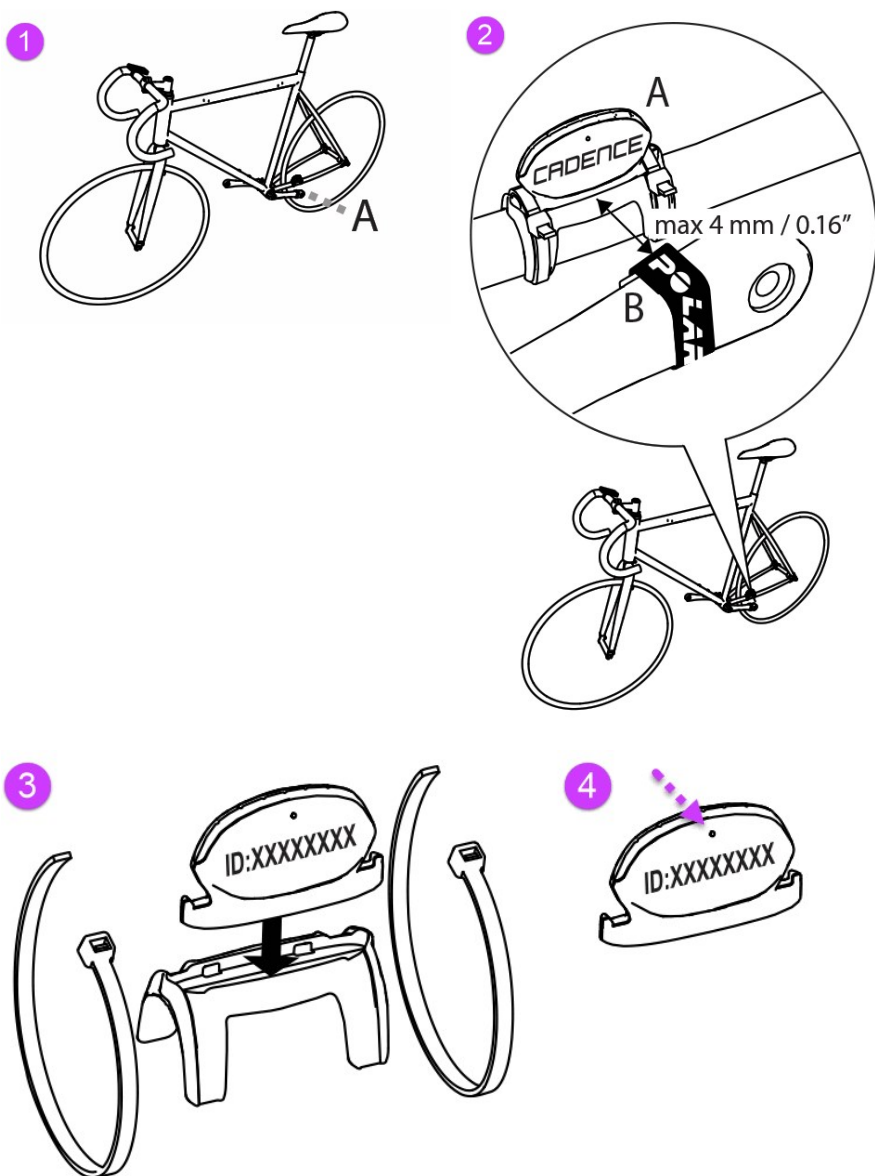
- Cadence sensor (A)
- Cadence magnet (B)



INSTALLING THE CADENCE SENSOR

To install the cadence sensor and cadence magnet, you need cutters.

1. Check the chain stay for a suitable place for the cadence sensor (picture 1 A). Do not install the sensor on the same side as the chain. The Polar logo on the sensor should be facing away from the crank (picture 2).
2. Attach the rubber part to the sensor (picture 3).
3. Clean and dry a suitable place for the sensor and place the sensor on the chain stay (picture 2 A). If the sensor touches the rotating crank, tilt the sensor slightly away from the crank. Pass the cable ties over the sensor and rubber part. Do not tighten them fully yet.
4. Place the cadence magnet vertically on the inner side of the crank (picture 2 B). Before attaching the magnet, clean and dry the area thoroughly. Attach the magnet to the crank and secure with the tape.
5. Fine-tune the positioning of the sensor so that the magnet passes close to the sensor without actually touching it (picture 2). Tilt the sensor towards the magnet so that the gap between the sensor and the magnet is under 4 mm/0.16". The gap is correct when you can fit a cable tie between the magnet and the sensor. There is a small caved dot on the backside of the sensor (picture 4), which indicates the spot the magnet should be pointing at when passing the sensor.
6. Rotate the crank to test the cadence sensor. The flashing red light on the sensor indicates that the magnet and the sensor are positioned correctly. If you keep rotating the crank, the light will go off. Tighten the cable ties securely and cut off any excess cable tie ends.



CADENCE SENSOR PAIRING

Your new cadence sensor must be paired with the receiving device in order to receive cadence data. For more information, see the user guidance material of the receiving device or mobile application.



To ensure a good connection between your cadence sensor and the receiving device, it is recommended to keep the device in a bike mount on the handlebar.

IMPORTANT INFORMATION

CARE AND MAINTENANCE

Keep the sensor clean. Clean it with a mild soap and water solution, and rinse off with clean water. Dry it carefully with a soft towel. Never use alcohol or any abrasive material, such as steel wool or cleaning chemicals. Do not immerse the sensor in water.

Your safety is important to us. Make sure the sensor does not disturb pedaling or using the brakes or gears. While riding your bike, keep your eyes on the road to prevent possible accidents and injury. Avoid hard hits as these may damage the sensor.

Replacement magnet sets can be purchased separately.

CADENCE SENSOR BATTERY

The battery cannot be replaced. The sensor is sealed in order to maximize mechanical longevity and reliability. You can purchase a new sensor from the Polar online store at www.polar.com or check the location of nearest retailer at www.polar.com/en/store-locator.

The battery level of your sensor is displayed on the receiving device if it supports Bluetooth® Battery Service.

To increase battery life, the sensor goes into standby mode in thirty minutes if you stop cycling and the magnet is not passing the sensor.

FREQUENTLY ASKED QUESTIONS

What should I do if...

...the cadence reading is 0 or there is no cadence reading while cycling?

- Make sure the position and distance of the cadence sensor to the crank magnet are appropriate.
- Check that you have activated the cadence function in the receiving device. For further information, see the user guidance material of the receiving device or mobile application.
- Try keeping the receiving device in a bike mount on the handlebar. This may improve the connection.
- If the 0 reading appears irregularly, this may be due to temporary electromagnetic interference in your current surroundings.
- If the 0 reading is constant, the battery may be empty.

...there are irregular cadence or heart rate readings?

- Disturbance may occur near microwave ovens and computers. Also WLAN base stations may cause interference when training with Polar Cadence Sensor. To avoid erratic reading or misbehaviors, move away from possible sources of disturbance.

... I want to pair the sensor with the receiving device before installation?

- Follow the instructions in the user guidance material of the receiving device or mobile application. Instead of rotating the crank, activate the sensor by moving it back and forth close to the magnet. The flashing red light indicates that the sensor is activated.

How do I know...

... if the sensor is transmitting data to the receiving device?

- When you begin cycling, a flashing red light indicates that the sensor is alive and it is transmitting cadence signal. As you continue cycling, the light goes off.

TECHNICAL SPECIFICATION

Operating temperature:

-10 °C to +50 °C / 14 °F to 122 °F

Battery life:

Average 1400 hours of use.

Accuracy:

±1 %

Material:

Thermoplastic polymer

Water resistance:

Splash proof

FCC ID: INWY6

Bluetooth QD ID: B021137

Copyright © 2021 Polar Electro Oy, FI-90440 KEMPELE.

All rights reserved. No part of this manual may be used or reproduced in any form or by any means without prior written permission of Polar Electro Oy. The names and logos marked with a ™ symbol in this user manual or in the package of this product are trademarks of Polar Electro Oy. The names and logos marked with a ® symbol in this user's manual or in the package of this product are registered trademarks of Polar Electro Oy. The Bluetooth® word mark and logos are registered trademarks owned by Bluetooth SIG, Inc. and any use of such marks by Polar Electro Oy is under license.

2.0 ENG 03/2023